

Exam : COGNOS BI0-132

**Title : Cognos 8 BI Metadata Model
Developer**

Version : Demo

Important Note, Please Read Carefully

Other examsoon products

[All examsoon IT Exam Products](#)

Our products of Offline Testing Engine

Use the offline Testing engine product to practice the questions in an exam environment.

Build a foundation of knowledge which will be useful also after passing the exam.

[examsoon Testing Engine](#)

Guarantee

Examsoon provides the most competitive quality of all exams for the customers, we guarantee your success at the first attempt with only our Certification Question&Answers, if you do not pass the exam at the first time, we will not only arrange FULL REFUND for you, but also provide you another exam of your claim, ABSOLUTELY FREE!.

Features

1. Comprehensive questions with complete details
2. Instant Downloadable in PDF form.
3. Verified Answers Researched by Industry Experts
4. Questions accompanied by exhibits
5. Drag and Drop questions as experienced in the Actual Exams.
6. These questions and answers are backed by our GUARANTEE.
7. Questions updated on regular basis.
8. Like actual certification exams our product is in multiple-choice questions (MCQs).

1. Are you an:
 - A. IBM Customer
 - B. IBM Partner
 - C. IBM Employee

Answer: A

2. If you are successful with this exam, do you agree to have your name made available to relevant IBM personnel for project staffing?.

- A. Yes
- B. No

Answer: A

3. Which of the following data structures typically contain normalized data?

- A. Cube
- B. Flat file
- C. Operational
- D. Star schema

Answer: C

4. The database table below would typically be found in what data structure?

Product line code	Product line	Product type code	Product type	Product number	Product
1	A	4	Packs	29	Canyon Mule Carryall
1	A	5	Lanterns	30	Firefly Lite
1	A	5	Lanterns	31	Firefly Mapreader
1	A	5	Lanterns	32	Firefly 2
1	A	5	Lanterns	34	Firefly Extreme
1	A	1	Cooking Gear	3	TrailChef Kitchen Kit
1	A	1	Cooking Gear	4	TrailChef Cup
1	A	1	Cooking Gear	5	TrailChef Cook Set
1	A	1	Cooking Gear	7	TrailChef Single Flame
1	A	2	Tents	14	Star Gazer 3
1	A	3	Sleeping Bags	22	Hibernator Pillow
1	A	4	Packs	28	Canyon Mule Cooler
1	A	5	Lanterns	33	Firefly 4
1	A	5	Lanterns	40	EverGlow Lamp
1	A	1	Cooking Gear	10	TrailChef Utensils
1	A	2	Tents	11	Star Lite
1	A	2	Tents	12	Star Dome
1	A	3	Sleeping Bags	19	Hibernator Extreme
1	A	3	Sleeping Bags	20	Hibernator Self - Inflating Mat
1	A	1	Cooking Gear	6	TrailChef Deluxe Cook Set

- A. Union
- B. Normalized
- C. Operational
- D. Star schema

Answer: D

5. What does a star schema database structure typically consist of?

- A. De-normalized hierarchy of dimension tables and fact tables.

- B. Normalized dimension tables and detailed fact tables.
- C. Normalized dimension tables and summarized fact tables.
- D. De-normalized dimension tables and fact tables.

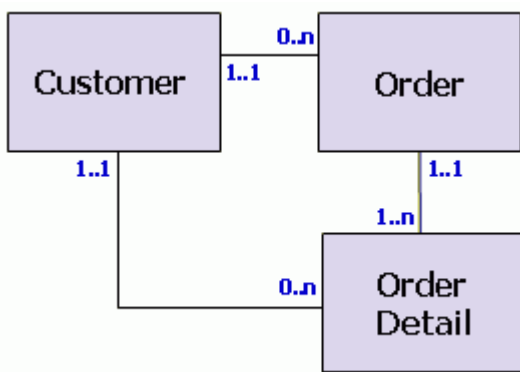
Answer: D

6. Which of the following is true of an OLAP data structure?

- A. Comprised of normalized dimension and fact tables.
- B. Organizes dimension tables into hierarchies and levels.
- C. Allows "real time" analysis against disparate data sources.
- D. Cardinality between tables is typically configured as inner joins.

Answer: B

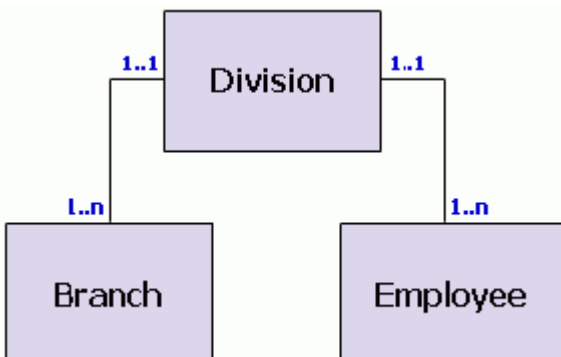
7. In a transitive relationship scenario, what problems exist when reporting from the tables below?



- A. The Order table must be included in each query.
- B. The Order Detail table has conflicting cardinalities.
- C. Outer joins are generated when querying from Customer.
- D. There is more than one possible path between the tables.

Answer: D

8. The illustration below represents which of the following data traps?

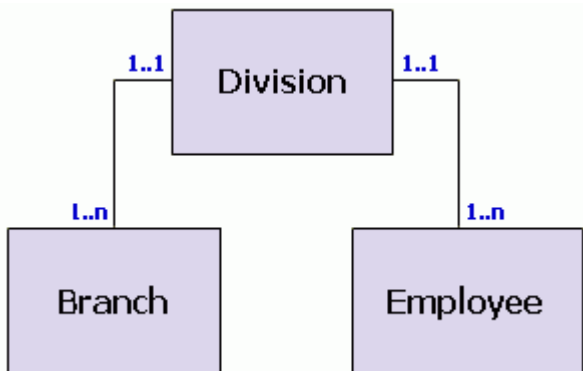


- A. Bridge
- B. Connection
- C. Parallel relationship

D. Many-to-many relationship

Answer: C

9. What question should a data modeler answer before accepting this proposed operational data structure?



- A. Should all three tables be consolidated into one?
- B. Should the cardinalities between the tables be reversed?
- C. Are Branch and Employee dimension tables or fact tables?
- D. Is there a direct relationship between Branch and Employee?

Answer: D

10. Which of the following is true regarding the operational data structure illustrated below?



- A. It illustrates a parallel relationship.
- B. It should be consolidated into one table.
- C. It should be examined for a connection trap.
- D. The cardinality between the tables should be reversed.

Answer: C

Examsoon.com was founded in 2006. The safer,easier way to help you pass any IT Certification exams . We provide high quality IT Certification exams practice questions and answers(Q&A). Especially [Adobe](#), [Apple](#), [Citrix](#), [Comptia](#), [EMC](#), [HP](#), [Juniper](#), [LPI](#), [Nortel](#), [Oracle](#), [SUN](#), [Vmware](#) and so on. And help you pass any IT Certification exams at the first try.

we guarantee your success at the first attempt with only our Certification Question&Answers, if you do not pass the exam at the first time, we will not only arrange FULL REFUND for you, but also provide you another exam of your claim, ABSOLUTELY FREE!

You can reach us at any of the email addresses listed below.

E-MAIL: [examsoon\(at\)hotmail.Com](mailto:examsoon(at)hotmail.Com)