

Exam : Cisco 642-813

**Title : Implementing Cisco IP
Switched Networks
(SWITCH)**

Version : Demo

1. Company uses layer 3 switches in the Core of their network. Which method of Layer 3 switching uses a forwarding information base (FIB)?

- A. Topology-based switching
- B. Demand-based switching
- C. Route caching
- D. Flow-based switching
- E. None of the other alternatives apply

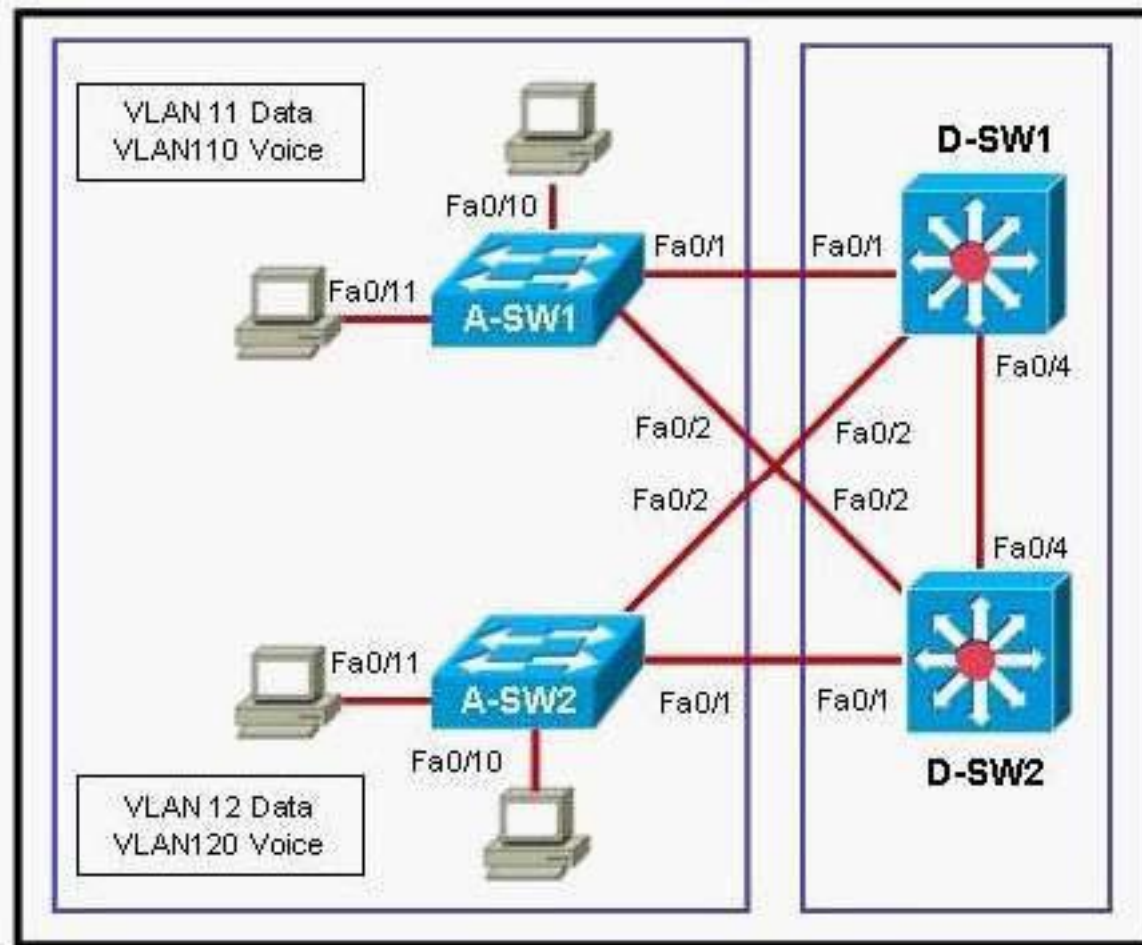
Answer: A

2. You need to design the VLAN scheme for the Company network. Which two statements are true about best practices in VLAN design? (Select two)

- A. Routing should occur at the access layer if voice VLANs are utilized. Otherwise, routing should occur at the distribution layer.
- B. Routing should always be performed at the distribution layer.
- C. VLANs should be localized to a switch.
- D. VLANs should be localized to a single switch unless voice VLANs are being utilized.
- E. Routing should not be performed between VLANs located on separate switches.

Answer: BC

3. Refer to the exhibit. On the basis of the information provided in the exhibit, which two sets of procedures are best practices for Layer 2 and 3 failover alignment? (Choose two.)



- A. Configure the D-SW1 switch as the active HSRP router and the STP root for all VLANs.
Configure the D-SW2 switch as the standby HSRP router and backup STP root for all VLANs.
- B. Configure the D-SW1 switch as the standby HSRP router and the STP root for VLANs 11 and 110.
Configure the D-SW2 switch as the standby HSRP router and the STP root for VLANs 12 and 120.
- C. Configure the D-SW1 switch as the active HSRP router and the STP root for VLANs 11 and 110.
Configure the D-SW2 switch as the active HSRP router and the STP root for VLANs 12 and 120.
- D. Configure the D-SW2 switch as the active HSRP router and the STP root for all VLANs.
Configure the D-SW1 switch as the standby HSRP router and backup STP root for all VLANs.
- E. Configure the D-SW1 switch as the active HSRP router and the backup STP root for VLANs 11 and 110.
Configure the D-SW2 switch as the active HSRP router and the backup STP root for VLANs 12 and 120.
- F. Configure the D-SW1 switch as the standby HSRP router and the backup STP root for VLANs 12a and 120.
Configure the D-SW2 switch as the standby HSRP router and the backup STP root for VLANs 11 and 110.

Answer: CF

4. If you needed to transport traffic coming from multiple VLANs (connected between switches), and your CTO was insistent on using an open standard, which protocol would you use?

- A. 802.11B
- B. spanning-tree
- C. 802.1Q
- D. ISL
- E. VTP
- F. Q.921

Answer: C

5. Under what circumstances should an administrator prefer local VLANs over end-to-end VLANs?

- A. Eighty percent of traffic on the network is destined for Internet sites.
- B. There are common sets of traffic filtering requirements for workgroups located in multiple buildings.
- C. Eighty percent of a workgroup's traffic is to the workgroup's own local server.
- D. Users are grouped into VLANs independent of physical location.
- E. None of the other alternatives apply

Answer: A

6. What are some virtues of implementing end-to-end VLANs? (Choose two)

- A. End-to-end VLANs are easy to manage.
- B. Users are grouped into VLANs independent of a physical location.
- C. Each VLAN has a common set of security and resource requirements for all members.
- D. Resources are restricted to a single location.

Answer: BC

7. Which of the following statements is true about the 80/20 rule (Select all that apply)?

- A. 20 percent of the traffic on a network segment should be local
- B. no more than 20 percent of the network traffic should be able to move across a backbone.
- C. no more than 80 percent of the network traffic should be able to move across a backbone.

D. 80 percent of the traffic on a network segment should be local

Answer: BD

8. The Company LAN is becoming saturated with broadcasts and multicast traffic. What could you do to help a network with many multicasts and broadcasts?

A. Creating smaller broadcast domains by implementing VLANs.

B. Separate nodes into different hubs.

C. Creating larger broadcast domains by implementing VLANs.

D. Separate nodes into different switches.

E. All of the above.

Answer: A

9. The Company LAN switches are being configured to support the use of Dynamic VLANs. Which of the following are true of dynamic VLAN membership? (Select all that apply)

A. VLAN membership of a user always remains the same even when he/she is moved to another location.

B. VLAN membership of a user always changes when he/she is moved to another location.

C. Membership can be static or dynamic.

D. Membership can be static only.

E. None of the other alternatives apply.

Answer: AC

10. The Company LAN switches are being configured to support the use of Dynamic VLANs. What should be considered when implementing a dynamic VLAN solution? (Select two)

A. Each switch port is assigned to a specific VLAN.

B. Dynamic VLANs require a VLAN Membership Policy Server.

C. Devices are in the same VLAN regardless of which port they attach to.

D. Dynamic VLAN assignments are made through the command line interface.

Answer: BC

11. In the three-layer hierarchical network design model; what's associated with the access layer? (Select

two)

- A. optimized transport structure
- B. high port density
- C. boundary definition
- D. data encryption
- E. local VLANs
- F. route summaries

Answer: BE

12. You are assigning VLANs to the ports of switch R1. What VLAN number value is assigned to the default VLAN?

- A. VLAN 1003
- B. VLAN 1
- C. VLAN ON
- D. VLAN A
- E. VLAN 0

Answer: B

13. The VLANs in switch R1 are being modified. Which of the following are updated in R1 every time a VLAN is modified? (Select all that apply)

- A. Configuration revision number
- B. Configuration revision flag field
- C. Configuration revision reset switch
- D. Configuration revision database
- E. None of the other alternatives apply.

Answer: AD

14. Given the above partial configuration, which two statements are true about VLAN traffic? (Choose two.)



Hostname Catalyst_A

..

Interface fastethernet 0/10
spanningtree vlan 1-5 port priority 10
switchport mode trunk

!

Interface fastethernet 0/12
spanningtree vlan 6-10 port priority 10
switchport mode trunk

- A. VLANs 1-5 will use fa0/10 as a backup only.
- B. VLANs 6-10 will use fa0/10 as a backup only.
- C. VLANs 1-5 will be blocked if fa0/10 goes down.
- D. VLANs 1-10 are configured to load share between fa0/10 and fa0/12.
- E. VLANs 6-10 have a port priority of 128 on fa0/10.

Answer: BD

15. What is a characteristic of assigning a static VLAN membership?

- A. VMPS server lookup is required
- B. Easy to configure
- C. Easy of adds, moves, and changes
- D. Based on MAC address of the connected device

Answer: B

16. Static VLANs are being used on the Company network. What is true about static VLANs?

- A. Devices use DHCP to request their VLAN.
- B. Attached devices are unaware of any VLANs.
- C. Devices are assigned to VLANs based on their MAC addresses.

D. Devices are in the same VLAN regardless of which port they attach to.

Answer: B

17. Two Company switches are connected via a trunk using VTP. Which VTP information does a Catalyst switch advertise on its trunk ports when using VTP? (Select two)

A. STP root status

B. VTP mode

C. Negotiation status

D. Management domain

E. Configuration revision number

Answer: DE

18. You need to investigate a VTP problem between two Company switches. The lack of which two prevents VTP information from propagating between switches? (Select two)

A. A root VTP server

B. A trunk port

C. VTP priority

D. VLAN 1

E. None of the other alternatives apply

Answer: BD

19. R1 and R2 are switches that communicate via VTP. What is the default VTP advertisement intervals in Catalyst switches that are in server or client mode?

A. 30 seconds

B. 5 minutes

C. 1 minute

D. 10 seconds

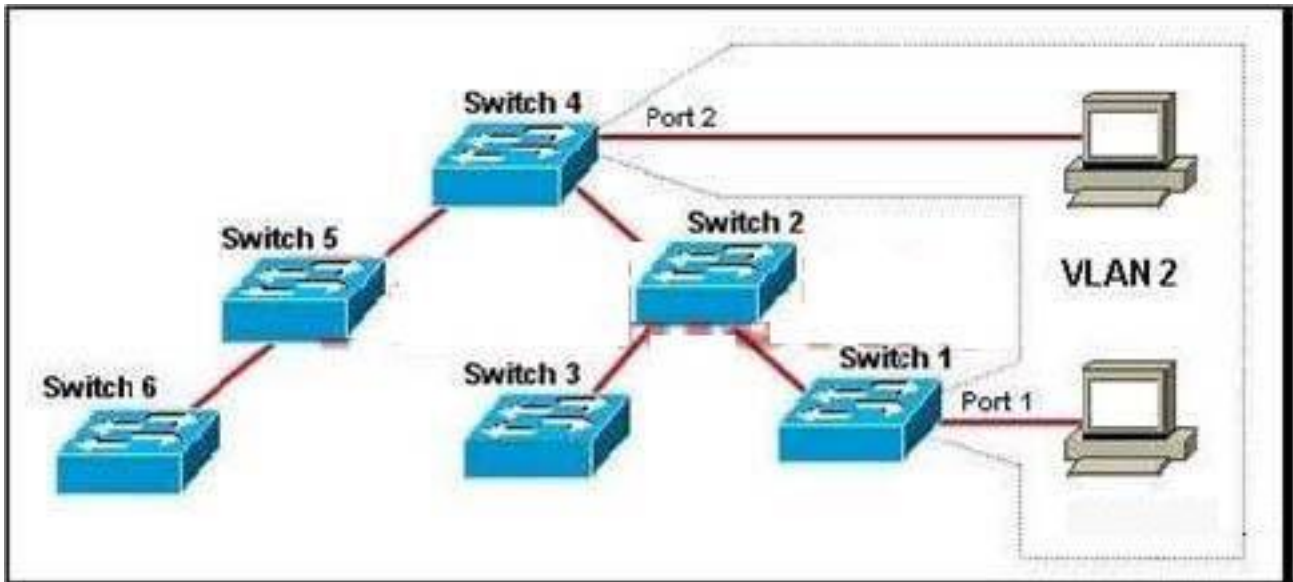
E. 5 seconds

F. None of the other alternatives apply

Answer: B

20. Refer to the exhibit. VTP has been enabled on the trunk links between all switches within the TEST domain. An administrator has recently enabled VTP pruning. Port 1 on Switch 1 and port 2 on Switch 4 are assigned to VLAN 2. A broadcast is sent from the host connected to Switch 1.

Where will the broadcast propagate?



- A. Every switch in the network receives the broadcast and will forward it out all ports.
- B. Every switch in the network receives the broadcast, but only Switch 4 will forward it out port 2.
- C. Switches 1, 2, and 4 will receive the broadcast, but only Switch 4 will forward it out port 2.
- D. Only Switch 4 will receive the broadcast and will forward it out port 2.

Answer: C