

Exam : Cisco 640-863

**Title : Designing for Cisco
Internetwork Solutions**

Version : Demo

Important Note, Please Read Carefully

Other examsoon products

[All examsoon IT Exam Products](#)

Our products of Offline Testing Engine

Use the offline Testing engine product to practice the questions in an exam environment.

Build a foundation of knowledge which will be useful also after passing the exam.

[examsoon Testing Engine](#)

Guarantee

Examsoon provides the most competitive quality of all exams for the customers, we guarantee your success at the first attempt with only our Certification Question&Answers, if you do not pass the exam at the first time, we will not only arrange FULL REFUND for you, but also provide you another exam of your claim, ABSOLUTELY FREE!.

Features

1. Comprehensive questions with complete details
2. Instant Downloadable in PDF form.
3. Verified Answers Researched by Industry Experts
4. Questions accompanied by exhibits
5. Drag and Drop questions as experienced in the Actual Exams.
6. These questions and answers are backed by our GUARANTEE.
7. Questions updated on regular basis.
8. Like actual certification exams our product is in multiple-choice questions (MCQs).

1. Which two of these are functions of an access point in a Split MAC Network Architecture?(Choose two.)

- A. EAP Authentication
- B. MAC layer encryption or decryption
- C. 802.1Q encapsulation
- D. Process probe response

Answer: BD

2. Lightweight access points are being deployed in remote locations where others are already operational. The new access points are in a separate IP subnet from the wireless controller. OTAP has not been enabled at any locations.

Which two methods can the AP use to locate a wireless controller? (Choose two.)

- A. local subnet broadcast
- B. NV-RAM IP address
- C. DHCP
- D. primary, secondary, tertiary
- E. DNS
- F. master

Answer: CE

3. Which of these is the equation used to derive a 64 Kbps bit rate?

- A. $2 \times 8 \text{ kHz} \times 4\text{-bit code words}$
- B. $8 \text{ kHz} \times 8\text{-bit code words}$
- C. $2 \times 4\text{-bit code words} \times 8 \text{ kHz}$
- D. $2 \times 4 \text{ kHz} \times 8\text{-bit code words}$

Answer: D

4. Which two of the following statements represent a preferred wireless LWAPP implementation?(Choose two.)

A. verify open ports for:

Layer 2 LWAPP on ethertype OxABAB

Layer 3 LWAPP on TCP 12222 and TCP 12223

B. verify open ports for:

Layer 2 LWAPP on ethertype 0xB BBBB

Layer 3 LWAPP on UDP 12222 and UDP 12223

C. verify open ports for:

Layer 2 LWAPP on ethertype 0xBABA

Layer 3 LWAPP on UDP 12222 and TCP 12223

D. use of Layer 3 LWAPP is preferred over Layer 2 LWAPP

E. use of Layer 2 LWAPP is preferred over Layer 3 LWAPP

Answer: BD

5. Which statement identifies a benefit obtained when using a top-down network design plan?

- A. allows quick responses to design requests
- B. facilitates design based on previous experience
- C. incorporates customer organizational requirements
- D. is less time-consuming than using a bottom-up approach
- E. provides a more detailed picture of the desired network

Answer: C

6. A lightweight access point is added to a working network. Which sequence will it use to associate itself with a wireless LAN controller?

- A. master, primary, secondary, tertiary, greatest AP capacity
- B. greatest AP capacity, primary, secondary, tertiary, master
- C. primary, secondary, tertiary, master, greatest AP capacity
- D. primary, secondary, tertiary, greatest AP capacity, master

Answer: C

7. Which statement accurately describes one difference between a small office and medium office topology?

- A. Small offices commonly use Rapid PVST+ for Layer 3 deployments.

- B. Medium offices commonly use integrated route and switching platforms.
- C. Medium offices use integrated 10/100/1000 interfaces as Layer 2 trunks.
- D. Medium offices use external access switches to support LAN connectivity.

Answer: D

8. Which three of these describe the best practice for Cisco wireless outdoor Mesh network deployment?
(Choose three.)

- A. RAP implemented with 20 to 32 MAP nodes
- B. RAP implemented with 20 or fewer MAP nodes
- C. mesh hop counts of 8 to 4
- D. mesh hop counts of 4 or fewer
- E. client access via 802.11b/g and backhaul with 802.11a
- F. client access via 802.11a and backhaul with 802.11b/g

Answer: BDE

9. Data link switching is typically used in which Enterprise Campus Module layer?

- A. Server Farm
- B. Campus Core
- C. Building Access
- D. Building Distribution
- E. Internet Connectivity

Answer: C

10. Which two statements best describe intradomain route summarization? (Choose two.)

- A. OSPF and RIP automatically summarize at classful network boundaries.
- B. EIGRP and OSPF automatically summarize at classful network boundaries.
- C. EIGRP and RIP automatically summarize at classful network boundaries.
- D. EIGRP and OSPF must be manually configured to summarize at non-classful boundaries.
- E. EIGRP and OSPF automatically summarize at non-classful boundaries.

Answer: CD

11. Which Cisco security solution offers protection against "day zero" attacks?

- A. Cisco Adaptive Security Appliance
- B. Cisco Security Agent
- C. Cisco IOS Firewall
- D. Cisco IOS IPS
- E. Cisco Traffic Anomaly Detector

Answer: B

12. Which statement can a network designer use to describe route summarization to an IT manager?

- A. It is the grouping of multiple contiguous subnets into one Class A, B, or C IP address to minimize routing table size.
- B. It is the grouping of multiple discontinuous subnets to increase routing performance.
- C. It is the grouping of multiple contiguous networks and advertising as one large network.
- D. It is the grouping of ISP network addresses to minimize the number of routes to the Internet.

Answer: C

13. Which three of these are components of the North American Numbering Plan? (Choose three.)

- A. Numbering Plan Area
- B. country code
- C. prefix
- D. zone
- E. line number
- F. trunk channel

Answer: ACE

14. Which two statements about designing the Enterprise Data Center Access submodule are correct?

(Choose two.)

- A. Multiport NIC servers should each have their own IP address.
- B. Layer 3 connectivity should never be used in the access layer.

- C. Layer 2 connectivity is primarily implemented in the access layer.
- D. Multiport NIC servers should never be used in the access layer.
- E. Layer 2 clustering implementation requires servers to be Layer 2 adjacent.

Answer: CE

15. Which transmission medium should you recommend to this customer?

- A. shielded twisted pair
- B. unshielded twisted pair
- C. multimode fiber
- D. single-mode fiber
- E. wireless

Answer: D

16. In the Cisco branch office design, what categorizes an office as large?

- A. between 50 and 100 users and a three-tier design
- B. between 50 and 100 users and a single-tier design
- C. between 100 and 200 users and a two-tier design
- D. between 100 and 200 users and a three-tier design
- E. over 200 users and a two-tier design

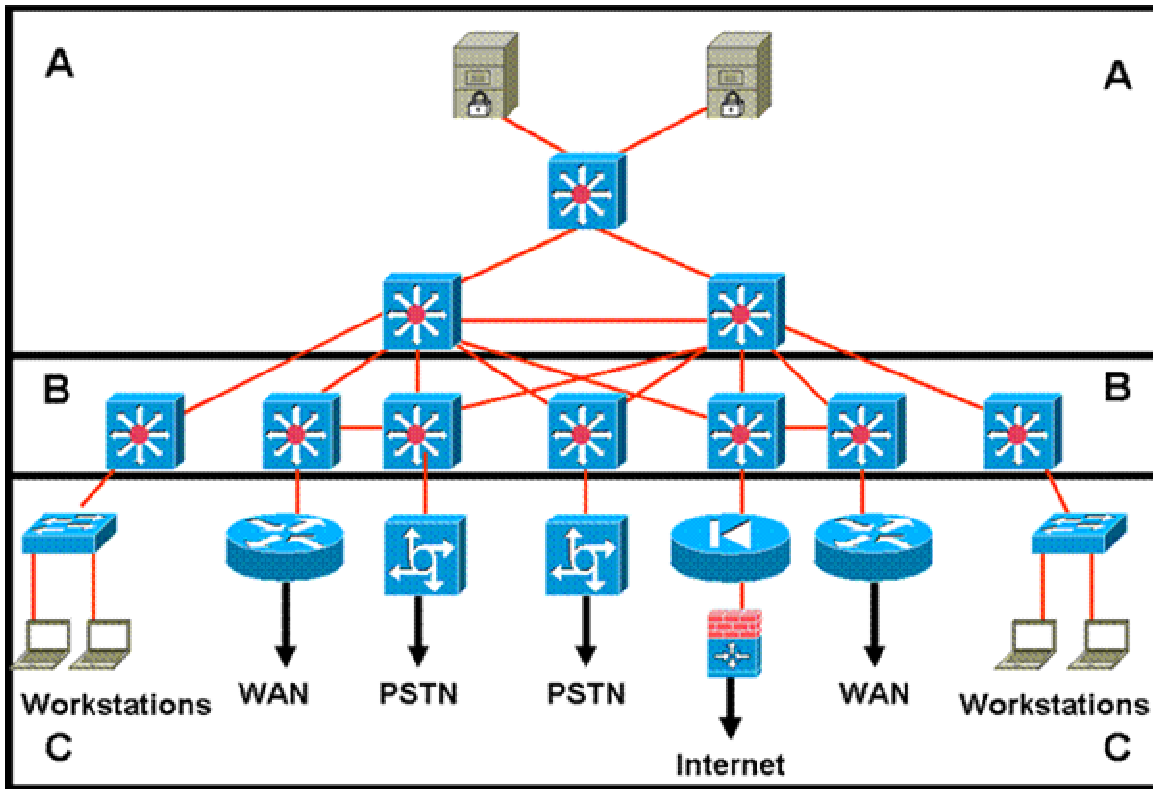
Answer: D

17. A very large organization has received its IPv6 address range from its Internet Service Provider and intends to use only IPv6 addresses internally. Employees will access the Internet using port address translation. What is a requirement for their DNS servers?

- A. They no longer need DNS servers.
- B. Their DNS servers need to support both IPv4 and IPv6 addresses.
- C. Their DNS servers need to support only IPv6 addresses.
- D. Their DNS servers need to support only IPv4 addresses.
- E. They need additional DNS servers in their network just for IPv6 addresses.
- F. There are no changes required to their DNS servers.

Answer: B

18. Refer to the exhibit.



Which layer is the distribution layer?

- A. Layer A
- B. Layer B
- C. Layer C
- D. Layers A and B form a consolidated core and distribution layer

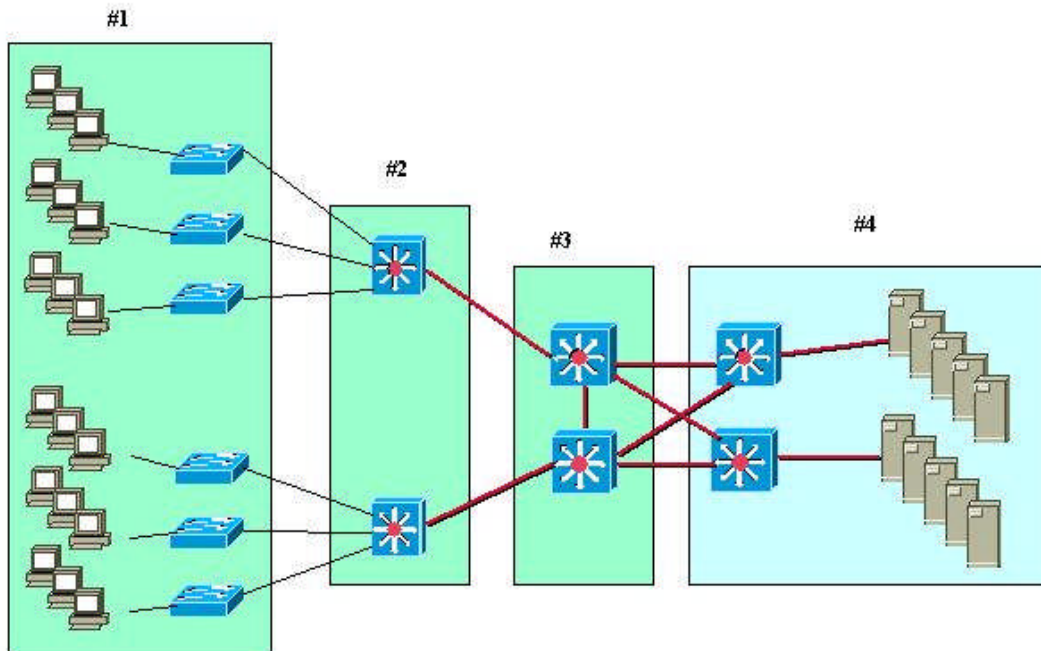
Answer: B

19. Which two implementation plan principles best describe how to deal with potential failures?(Choose two.)

- A. A good implementation plan.
- B. A successful test network test.
- C. A test should be included at every step.
- D. A detailed rollback procedure for each implementation step.
- E. A table of failure points, rollback steps, and estimated rollback times.

Answer: CD

20. Refer to the exhibit.



A standard, Layer 2 campus network design is pictured. Which numbered box represents the distribution layer?

- A. #1
- B. #2
- C. #3
- D. #4

Answer: B

Examsoon.com was founded in 2006. The safer,easier way to help you pass any IT Certification exams . We provide high quality IT Certification exams practice questions and answers(Q&A). Especially [Adobe](#), [Apple](#), [Citrix](#), [Comptia](#), [EMC](#), [HP](#), [Juniper](#), [LPI](#), [Nortel](#), [Oracle](#), [SUN](#), [Vmware](#) and so on. And help you pass any IT Certification exams at the first try.

we guarantee your success at the first attempt with only our Certification Question&Answers, if you do not pass the exam at the first time, we will not only arrange FULL REFUND for you, but also provide you another exam of your claim, ABSOLUTELY FREE!

You can reach us at any of the email addresses listed below.

E-MAIL: [examsoon\(at\)hotmail.Com](mailto:examsoon(at)hotmail.Com)