

**Exam : IBM 000-742**

**Title : IBM Open Systems Storage  
Solutions Version 4**

**Version : Demo**

## Important Note, Please Read Carefully

### Other examsoon products

[All examsoon IT Exam Products](#)

### Our products of Offline Testing Engine

Use the offline Testing engine product to practice the questions in an exam environment.

Build a foundation of knowledge which will be useful also after passing the exam.

[examsoon Testing Engine](#)

### Guarantee

Examsoon provides the most competitive quality of all exams for the customers, we guarantee your success at the first attempt with only our Certification Question&Answers, if you do not pass the exam at the first time, we will not only arrange FULL REFUND for you, but also provide you another exam of your claim, ABSOLUTELY FREE!.

### Features

1. Comprehensive questions with complete details
2. Instant Downloadable in PDF form.
3. Verified Answers Researched by Industry Experts
4. Questions accompanied by exhibits
5. Drag and Drop questions as experienced in the Actual Exams.
6. These questions and answers are backed by our GUARANTEE.
7. Questions updated on regular basis.
8. Like actual certification exams our product is in multiple-choice questions (MCQs).

1. A customer has a single controller IBM TotalStorage DS4300 Storage Server. What is the maximum number of expansion drawers that can be attached?

- A. 0
- B. 3
- C. 7
- D. 16

**Answer: A**

2. A customer has a requirement for 9 TB of data to be stored onto tape. If the customer wants the most cost-effective LTO3 solution, the best technology choice would be:

- A. IBM TotalStorage 3581 Tape Autoloader.
- B. IBM TotalStorage 3582 Tape Library.
- C. IBM TotalStorage 3583 Tape Library.
- D. IBM TotalStorage 3584 Tape Library.

**Answer: B**

3. A customer mentions that they are evaluating Advanced Intelligent Tape (AIT) for their open server environment. Which of the following best describes AIT technology?

- A. 4mm
- B. Linear recording
- C. Helical scan recording
- D. IBM TotalStorage 3592 compatible tape

**Answer: C**

4. A customer needs to limit the total time it takes to back up an existing database. Which of the following is NOT required to understand the customer requirements?

- A. The amount of data to be backed up
- B. The kind of data being backed up
- C. The maximum desired time the backup process should take
- D. The number of days backups are scheduled

**Answer: D**

5. A customer has a heterogeneous environment that is backed up using IBM Tivoli Storage Manager attached to a tape silo. Due to network congestion, the expanding data within the environment can no longer be backed up within the time available. The data growth is expected to increase rapidly over the next few months. The average recovery window for this environment is currently estimated at 72 hours. Which of the following options would resolve the network problem?

- A. Install an IBM TotalStorage NAS Gateway 500.
- B. Utilize LAN free backups over the SAN.

- C. Install iSCSI to improve block I/O throughput.
- D. Increase the number of tape drives within the silo.

**Answer: B**

6. A customer owns a 150 GB usable RAID 5 SCSI disk subsystem attached to a single host and wants to increase data throughput, reliability, availability, and serviceability. Cost is a significant consideration. Which of the following is most likely to satisfy all of these requirements?

- A. Convert the RAID 5 subsystem to a RAID 1 subsystem.
- B. Convert the existing subsystem to dual-attached SCSI.
- C. Replace the existing subsystem with an IBM TotalStorage DS4000 Storage Server.
- D. Replace the existing subsystem with an IBM TotalStorage DS8000 Storage Server.

**Answer: C**

7. A distributor is planning to open five locations, with each location requiring a local nightly backup of 500 GB of data from a Sun server. Performance and cost are key requirements. Which of the following is the best solution?

- A. IBM TotalStorage 3581 Tape Autoloader
- B. IBM TotalStorage 3590 Model H11 Tape Drive
- C. IBM TotalStorage 3592 Model J1A Tape Drive
- D. IBM TotalStorage 7205 Model 550 External SDLT320 Tape Drive

**Answer: A**

8. A customer is currently running a mail server application and is interested in a new storage subsystem. Which of the following will have the most impact in sizing the subsystem?

- A. Record size
- B. Logical volume partitioning
- C. Data security
- D. Number of users

**Answer: D**

9. A large customer environment consists of 16 Intel-based servers that support electronic mail. The servers have exceeded their disk storage capacity and the customer would like to centralize disk storage. Which of the following solutions should be recommended?

- A. IBM TotalStorage NAS Gateway 500
- B. IBM TotalStorage SAN Volume Controller
- C. IBM TotalStorage DS4000 Storage Server
- D. IBM Tivoli Storage Manager for Space Management

**Answer: C**

10. A customer is running a SAP R/3 application using Oracle Parallel Server as the database manager on

an IBM eServer pSeries server. The customer would like two servers to share the same Oracle database. Which of the following IBM storage products would NOT be recommended to meet the customer's requirement?

- A. IBM TotalStorage EXP Plus
- B. IBM TotalStorage SAN Filesystem
- C. IBM TotalStorage NAS Gateway 500
- D. IBM TotalStorage SAN Volume Controller

**Answer: C**

11. A customer will be using an IBM TotalStorage DS4000 Storage Subsystem. In order to provide the highest data availability for a database server, which of the following is the most appropriate hardware RAID technology to recommend?

- A. RAID 1
- B. RAID 5
- C. RAID 10
- D. RAID 50

**Answer: C**

12. A customer is migrating a 600 GB Oracle database from an older IBM eServer pSeries server to a new one. The data is on a 2 TB IBM TotalStorage Enterprise Storage Server (ESS) that is 80% full. What is the easiest way to move the data to the new server?

- A. Assign new LUNs to the new system, backup the data with the existing tape library, and restore it on the new system.
- B. Use IBM TotalStorage ESS Specialist to assign the existing LUNs to the new server and use AIX LVM importvg to acquire the existing data.
- C. Create new LUNs as targets, perform FlashCopy to those LUNs, and assign the target LUNs to the new server.
- D. Create new LUNs as targets, perform Metro Mirror to those LUNs, and assign the target LUNs to the new server.

**Answer: B**

13. Which of the following is a feature of all IBM TotalStorage Ultrium tape drives?

- A. Statistical Analysis and Reporting System (SARS)
- B. Native switched fabric 2 Gb Fibre Channel interface
- C. WORM Tape
- D. 64 MB buffer

**Answer: A**

14. After a long competitive sales cycle, the customer has decided to implement their first centralized

storage solution on the IBM TotalStorage DS4500 Storage Server. To help ensure a successful installation, which of the following should be proposed as part of the solution?

- A. Service Alert
- B. Business Continuance Services
- C. 3-Year Warranty Service Upgrade
- D. Planning and Implementation Services

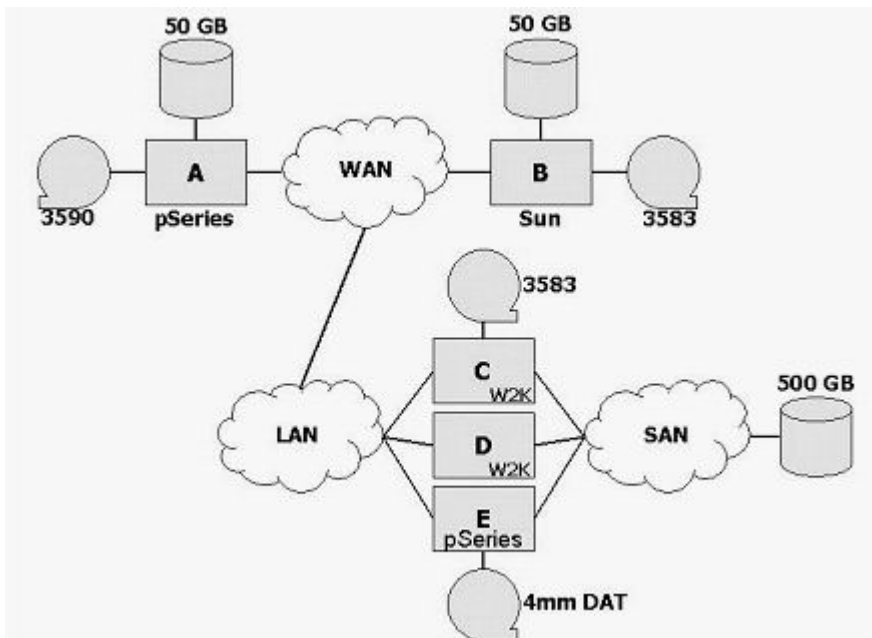
**Answer: D**

15. A customer would like to integrate a Windows file server into the centralized IBM Tivoli Storage Manager (TSM) backup solution. The servers are SAN attached to an IBM Total Storage DS4500. There is very little LAN bandwidth to spare. What should the Storage Specialist recommend?

- A. Implement an IBM TSM LAN Free solution.
- B. Add a larger dedicated tape drive and have IBM TSM manage it remotely.
- C. Install IBM TSM for Application Servers.
- D. Install the IBM TSM client and backup over the network.

**Answer: A**

16. Refer to the exhibit to answer the question. The customer wants to run centralized backups. Assuming a uniform change rate for the data on all of the servers shown, which of the following nodes is the best candidate for a backup server?



- A. Node A
- B. Node B
- C. Node C
- D. Node E

**Answer: C**

17. When choosing between an IBM TotalStorage 3582 Tape Library and an IBM TotalStorage 3583 Tape Library for an open system environment, which requirement differentiates the two libraries?

- A. Standalone or rack mounted
- B. SCSI or FC attachment
- C. Logical library sharing
- D. Upgradeable storage slot capacity

**Answer: D**

18. A customer has reviewed the Storage Specialist's proposal for a centralized disk solution supporting Sun, HP, Intel, IBM eServer pSeries and iSeries servers. The customer's feedback indicates that the solution exceeds their budget. They also indicate that they have signed an agreement outsourcing their iSeries applications. Which of the following would be the most appropriate change to the proposal?

- A. Reduce the amount of disk configured in the subsystem.
- B. Reduce the amount of disk configured in the subsystem and reduce the SAN port count.
- C. Reduce the amount of disk configured, change the subsystem to a NAS solution and eliminate the SAN.
- D. Reduce the amount of disk configured, change the subsystem to IBM TotalStorage DS4000 and reduce the SAN port count.

**Answer: D**

19. Which of the following is a competitive advantage of the IBM TotalStorage DS4300 compared to the HP MSA1000?

- A. FlashCopy option
- B. Remote Mirroring option
- C. Additional host configuration options
- D. Better reliability, availability, and serviceability (RAS) characteristics

**Answer: B**

20. A customer has a requirement for recall of tape data. The media choice must have the longest archival life. Which of the following would be the most appropriate selection?

- A. LTO
- B. DLT
- C. SDLT
- D. 3590

**Answer: A**

Examsoon.com was founded in 2006. The safer,easier way to help you pass any IT Certification exams . We provide high quality IT Certification exams practice questions and answers(Q&A). Especially [Adobe](#), [Apple](#), [Citrix](#), [Comptia](#), [EMC](#), [HP](#), [Juniper](#), [LPI](#), [Nortel](#), [Oracle](#), [SUN](#), [Vmware](#) and so on. And help you pass any IT Certification exams at the first try.

we guarantee your success at the first attempt with only our Certification Question&Answers, if you do not pass the exam at the first time, we will not only arrange FULL REFUND for you, but also provide you another exam of your claim, ABSOLUTELY FREE!

You can reach us at any of the email addresses listed below.

E-MAIL: [examsoon\(at\)hotmail.Com](mailto:examsoon(at)hotmail.Com)