

**Exam : IBM 000-633**

**Title : Rational-object oriented  
analysis and design-part1**

**Version : Demo**

## Important Note, Please Read Carefully

### Other examsoon products

[All examsoon IT Exam Products](#)

### Our products of Offline Testing Engine

Use the offline Testing engine product to practice the questions in an exam environment.

Build a foundation of knowledge which will be useful also after passing the exam.

[examsoon Testing Engine](#)

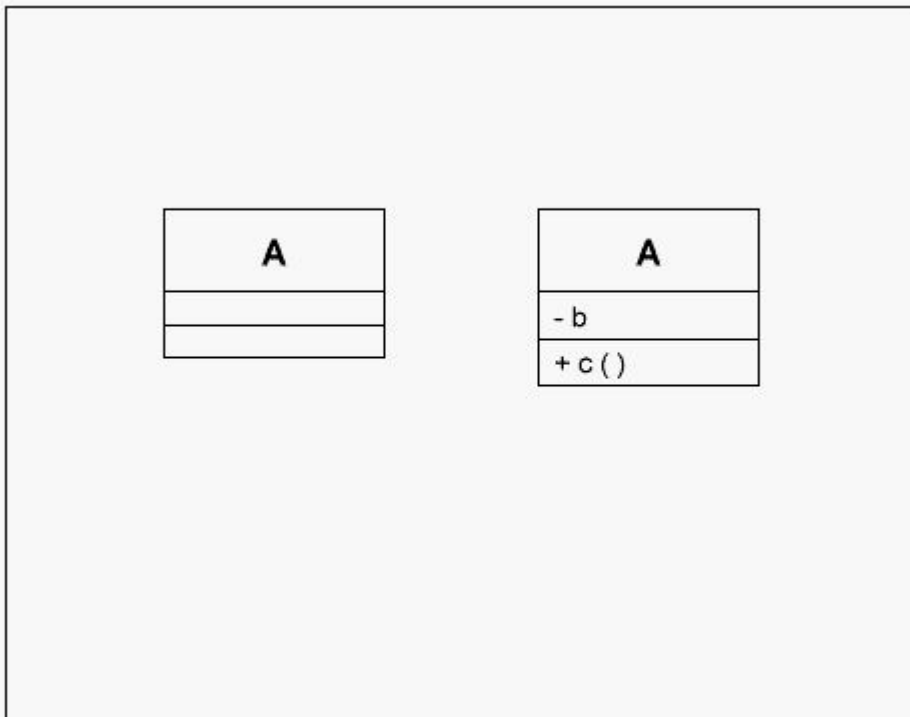
### Guarantee

Examsoon provides the most competitive quality of all exams for the customers, we guarantee your success at the first attempt with only our Certification Question&Answers, if you do not pass the exam at the first time, we will not only arrange FULL REFUND for you, but also provide you another exam of your claim, ABSOLUTELY FREE!.

### Features

1. Comprehensive questions with complete details
2. Instant Downloadable in PDF form.
3. Verified Answers Researched by Industry Experts
4. Questions accompanied by exhibits
5. Drag and Drop questions as experienced in the Actual Exams.
6. These questions and answers are backed by our GUARANTEE.
7. Questions updated on regular basis.
8. Like actual certification exams our product is in multiple-choice questions (MCQs).

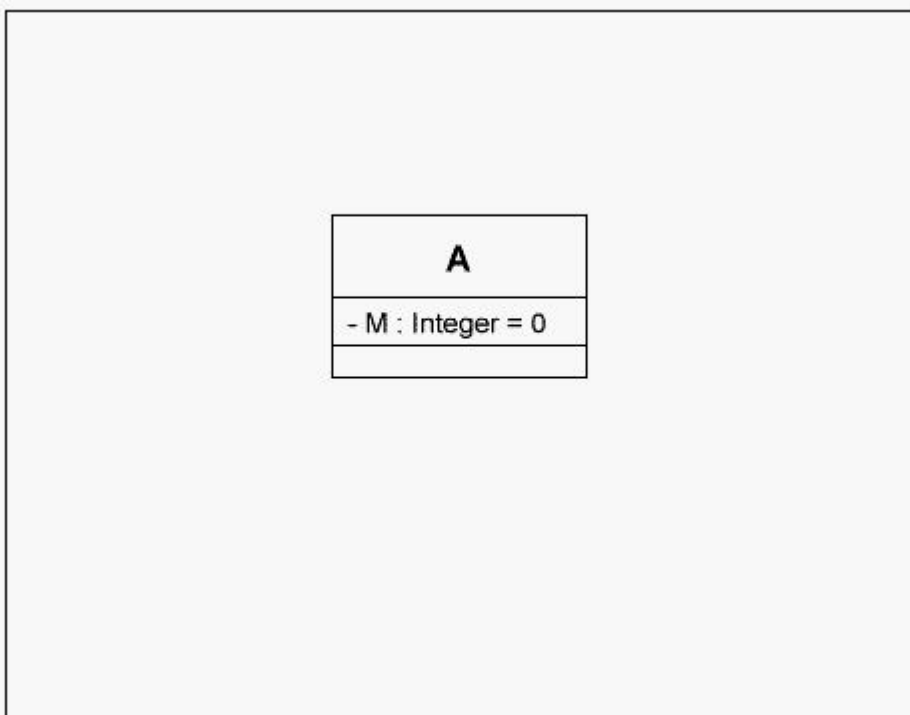
1. Click the Exhibit button below. What do the icons on the illustration represent?



- A. Two distinct objects
- B. Two distinct classes
- C. Same class
- D. Same object

**Answer: C**

2. Click the Exhibit button below. What kind of attribute value does M represent in the diagram?



- A. Static value of 0
- B. Default value of 0
- C. Current value of 0
- D. Constant value of 0

**Answer: B**

3. Which of the following are characteristics of a package? (Select all that apply.)

- A. Helpful in organizing classes in large models
- B. May include nested packages
- C. A logical collection of classes
- D. Always realizes an interface

**Answer: ABCD**

4. What relationships are allowed between actors?

- A. Extend
- B. Include
- C. Realization
- D. Generalization

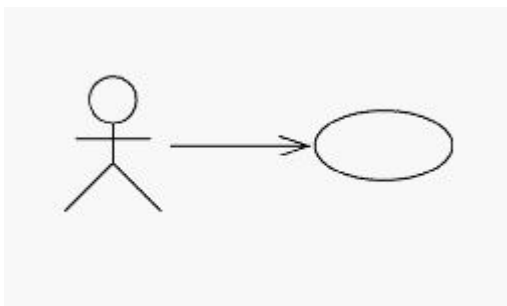
**Answer: D**

5. What does a sequence diagram represent?

- A. Classes and their relationships
- B. The life history of a given class
- C. Relationships among use cases and scenarios
- D. All system-level interfaces
- E. Objects and the messages involved in a single scenario

**Answer: E**

6. Click the Exhibit button below. What does this diagram show about the relationship between the actor and use case?



- A. The actor inherits behavior from the use case.
- B. The actor depends on the use case.
- C. The actor initiates the use case.

D. The actor realizes the use case.

**Answer: C**

7. What principle enables you to modify the implementation of a class without impacting client code?

- A. Polymorphism
- B. Encapsulation
- C. Inheritance
- D. Multiplicity
- E. Abstraction

**Answer: B**

8. Which relationships apply between use cases? (Select all that apply.)

- A. Extend
- B. Inheritance
- C. Generalization
- D. Include

**Answer: ACD**

9. An interface is

- A. A stereotype of a package representing the methods which exported classes in the package support.
- B. A description for the externally visible operations of a class, component, subsystem, or other entity.
- C. The public and private parts of a class.
- D. A description of the externally visible operations of a package.

**Answer: B**

10. What statement best describes an association?

- A. A general relationship among classes indicating that the classes are connected in some way.
- B. Represented on a class diagram using a diamond symbol.
- C. Always represented on a class diagram using an arrow.
- D. A relationship from a whole to its parts.
- E. Always one-way.

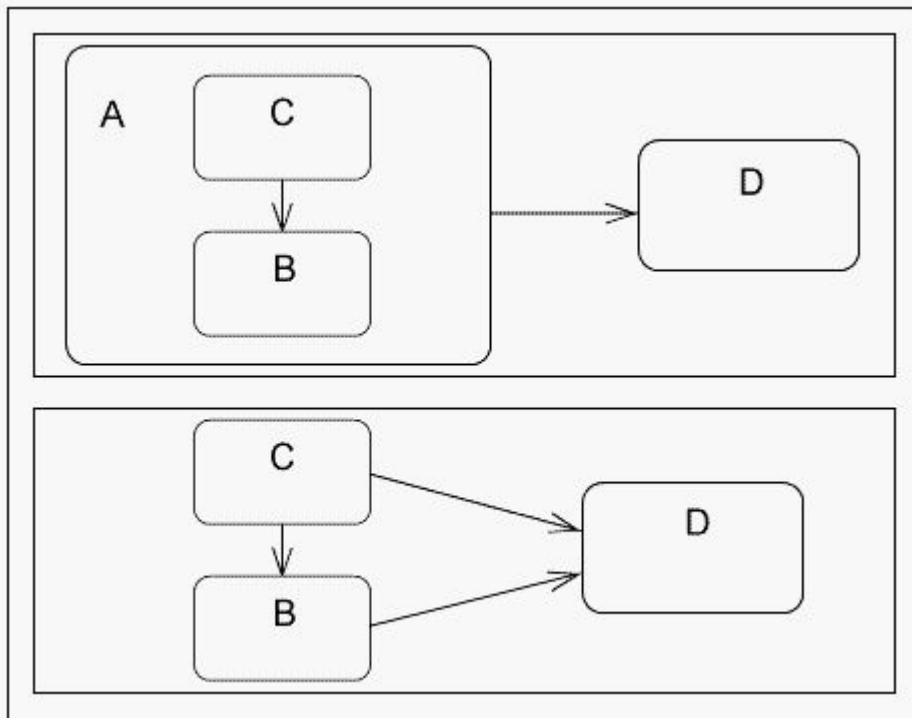
**Answer: A**

11. What statement defines abstraction?

- A. An approach that helps us deal with complexity by emphasizing relevant characteristics and suppressing other details.
- B. The practice of separating the interface of a class from its implementation and hiding the implementation.
- C. A specialized form of association in which a whole is related to its parts.
- D. A logical collection of classes.
- E. A number of time-ordered steps or statements expressed in natural language.

**Answer: A**

12. Click the Exhibit button below. The two statechart diagrams shown here represent the same information.



A. True

B. False

**Answer: A**

13. What relationships can exist between packages? (Select all that apply.)

A. Generalization

B. Associations

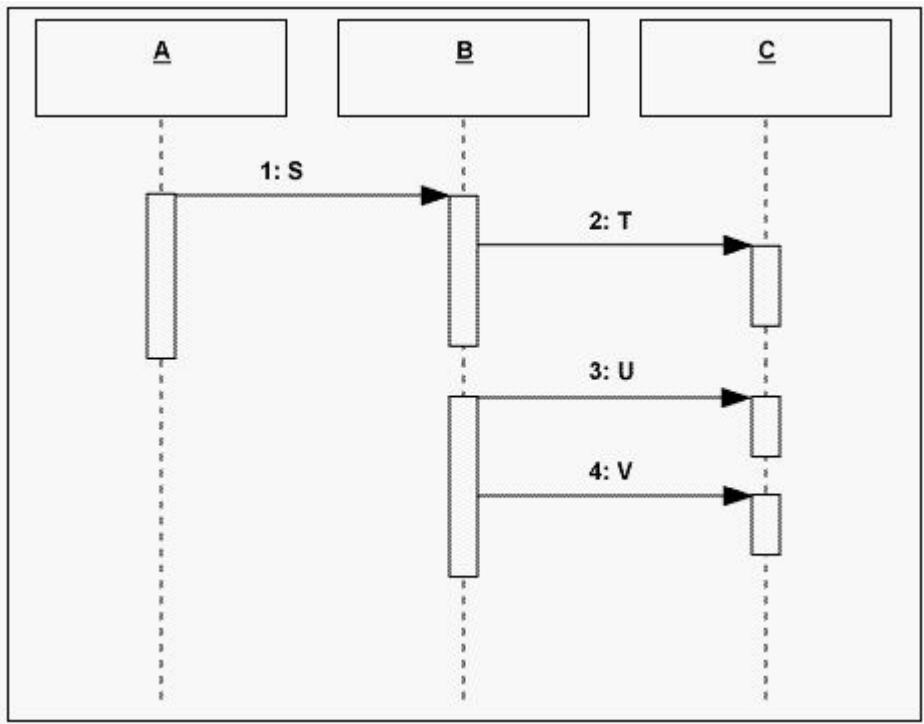
C. Aggregation

D. Dependency

**Answer: ABD**

14. Click the Exhibit button below.

How long does A maintain control?



- A. Until step 4 is completed
- B. Until step 2 is complete
- C. Until all steps are completed
- D. Until step 3 starts

**Answer: B**

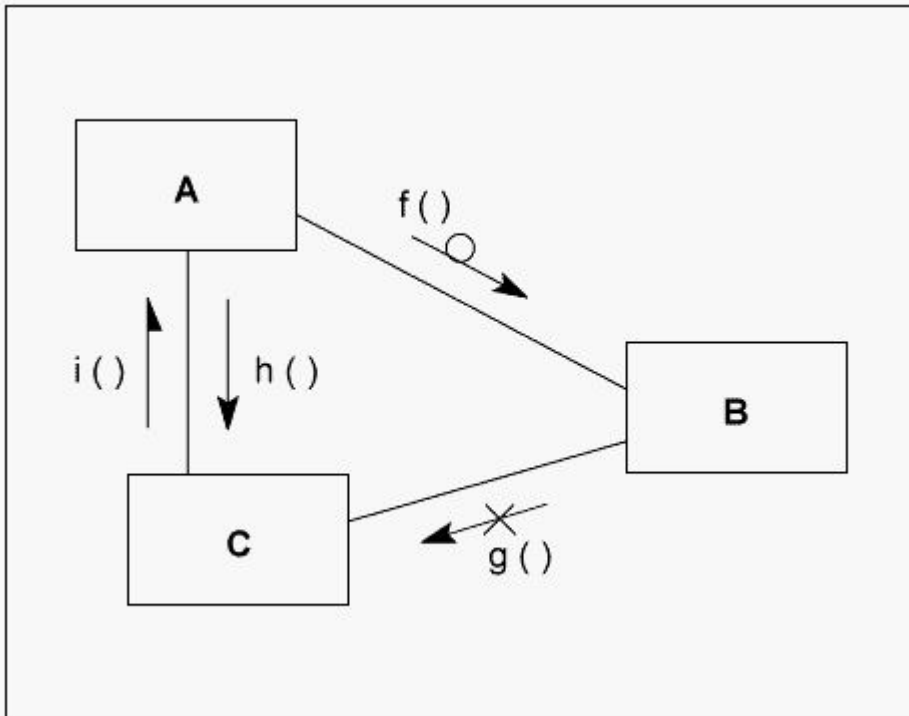
15. What can a subclass inherit from its superclass?

- A. Attributes and operations only
- B. Operations only
- C. Relationships only
- D. Attributes, operations, and relationships
- E. Use cases

**Answer: D**

16. Click the Exhibit button below.

What adornment in this figure represents simple messaging?



- A. f()
- B. g()
- C. h()
- D. i()

**Answer: C**

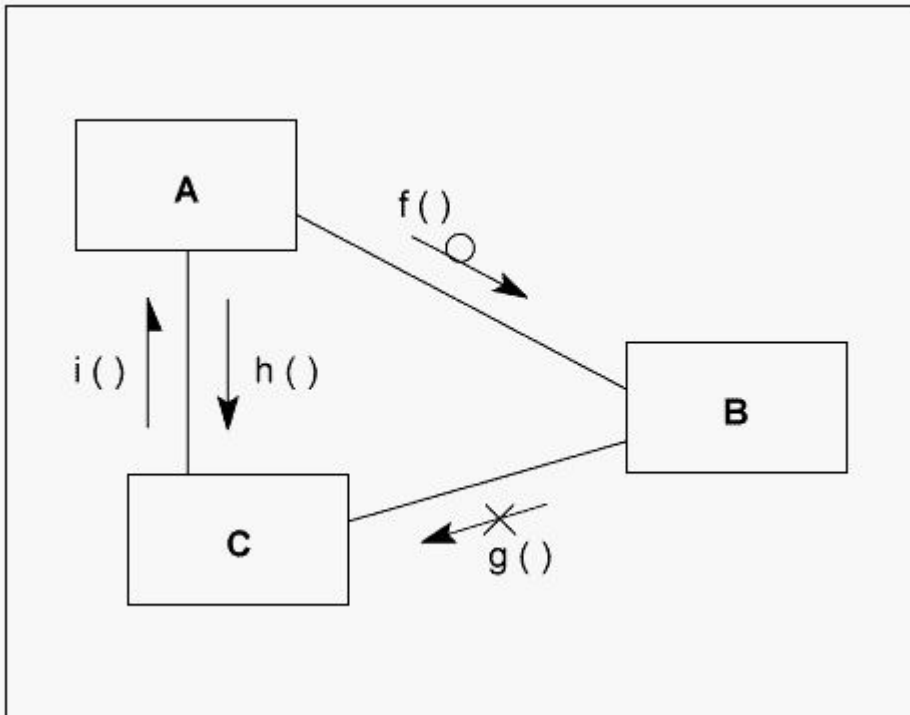
17. You can specify the multiplicity of an attribute by inserting a suitable expression just after the attribute name.

- A. True
- B. False

**Answer: A**

18. Click the Exhibit button below.

What adornment in this figure represents time-out messaging?



- A.  $f()$
- B.  $g()$
- C.  $h()$
- D.  $i()$

**Answer: A**

19. Semantically, collaboration diagrams can contain \_\_\_\_\_ compared to sequence diagrams?

- A. More information
- B. Less information
- C. The same information

**Answer: C**

20. Which of the following statements describe nested classes? (Select all that apply.)

- A. Depicted on a class diagram using a filled-in diamond next to the class
- B. Used primarily for implementation reasons and information hiding
- C. A class declared within another class that belongs to the namespace of the other class and may only be used within it
- D. An example of metamorphosis

**Answer: BC**

Examsoon.com was founded in 2006. The safer,easier way to help you pass any IT Certification exams . We provide high quality IT Certification exams practice questions and answers(Q&A). Especially [Adobe](#), [Apple](#), [Citrix](#), [Comptia](#), [EMC](#), [HP](#), [Juniper](#), [LPI](#), [Nortel](#), [Oracle](#), [SUN](#), [Vmware](#) and so on. And help you pass any IT Certification exams at the first try.

we guarantee your success at the first attempt with only our Certification Question&Answers, if you do not pass the exam at the first time, we will not only arrange FULL REFUND for you, but also provide you another exam of your claim, ABSOLUTELY FREE!

You can reach us at any of the email addresses listed below.

E-MAIL: [examsoon\(at\)hotmail.Com](mailto:examsoon(at)hotmail.Com)